

Pacifyre® AWM III Fire Collar

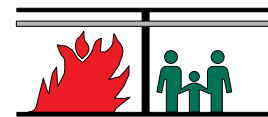
(U 04 35)

for penetrations with flammable pipes 15 - 200 mm

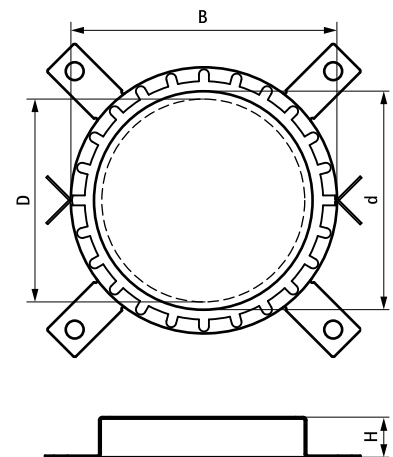


Features and Benefits

- built-up fire collar for plastic (combustible) pipes and pipe systems. For apertures in walls (solid walls or light partition walls) and ceilings with fire protection in accordance with UK Legislation
- suitable for damp conditions
- low collar height, allowing building of bends, sockets and T-joints close to the wall or ceiling
- should be fitted to both sides of a wall and on one side below a ceiling
- build in is possible without additional fixings (by simply bending and sliding the fixing tabs)
- economical alternative for the Pacifyre® AWM II in standard installation situations
- in problematic built-in situations the use of an oversized collar is permitted (up to max. 3 sizes bigger)
- easily installed due to 2 part collar construction
- various finish possibilities, e.g. acrylic sealant, mortar, etc.
- maintenance free
- zero distance is possible between fire collars
- tested according to EN 1366-3
- European approval: ETA-13/0906



| Part No. | D (mm) | d (mm) | Model | B (mm) | H (mm) | Pack 1 |
|--------------|-----------|-----------|---------------|-----------|-----------|--------|
| 213 5 032034 | 15 - 32 | 38 | 2 fixing tabs | 47 | 26 | 10 |
| 213 5 040042 | 20 - 40 | 46 | 2 fixing tabs | 55 | 26 | 10 |
| 213 5 050052 | 25 - 50 | 56 | 2 fixing tabs | 65 | 26 | 10 |
| 213 5 063065 | 32 - 63 | 69 | 4 fixing tabs | 82 | 26 | 10 |
| 213 5 075077 | 40 - 75 | 81 | 4 fixing tabs | 94 | 26 | 10 |
| 213 5 090092 | 50 - 90 | 96 | 4 fixing tabs | 114 | 26 | 10 |
| 213 5 110112 | 63 - 110 | 116 | 4 fixing tabs | 134 | 26 | 10 |
| 213 5 125125 | 75 - 125 | 132 | 4 fixing tabs | 150 | 40 | 10 |
| 213 5 140140 | 90 - 140 | 144 | 4 fixing tabs | 168 | 40 | 2 |
| 213 5 160160 | 110 - 160 | 164 | 4 fixing tabs | 188 | 40 | 2 |
| 213 5 180180 | 125 - 180 | 184 | 4 fixing tabs | 218 | 40 | 2 |
| 213 5 200200 | 140 - 200 | 204 | 4 fixing tabs | 238 | 40 | 2 |



Complementary
Pacifyre® FPM
Pacifyre® ID-Card